



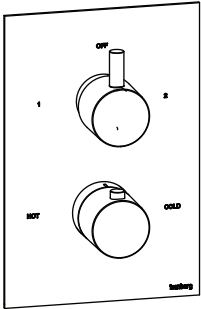
**100.4420 | 3/4" Thermostatic Valve With 2-Way Diverter & Integrated Volume Control & Trim**

**SPECIFICATIONS:**

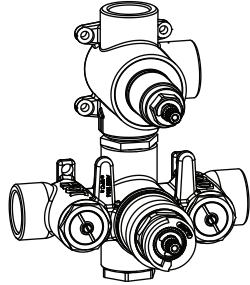
- Turn bottom handle to control temperature.
- Turn top handle to divert water & control volume
- Includes Thermostatic valve (TVH.4420) w/ service stops
- Thermostatic Valve Flow Rate - 13.0 GPM @ 60 PSI
- Extension Available - TVH.4101E\*\*

**FINISHES :**

- Chrome - 100.4420CP, Brushed Nickel - 100.4420BN



Trim  
[ 100.4420T\*\* ]



Valve  
[ TVH.4420 ]

CALGreen Compliant



Legislation Compliance



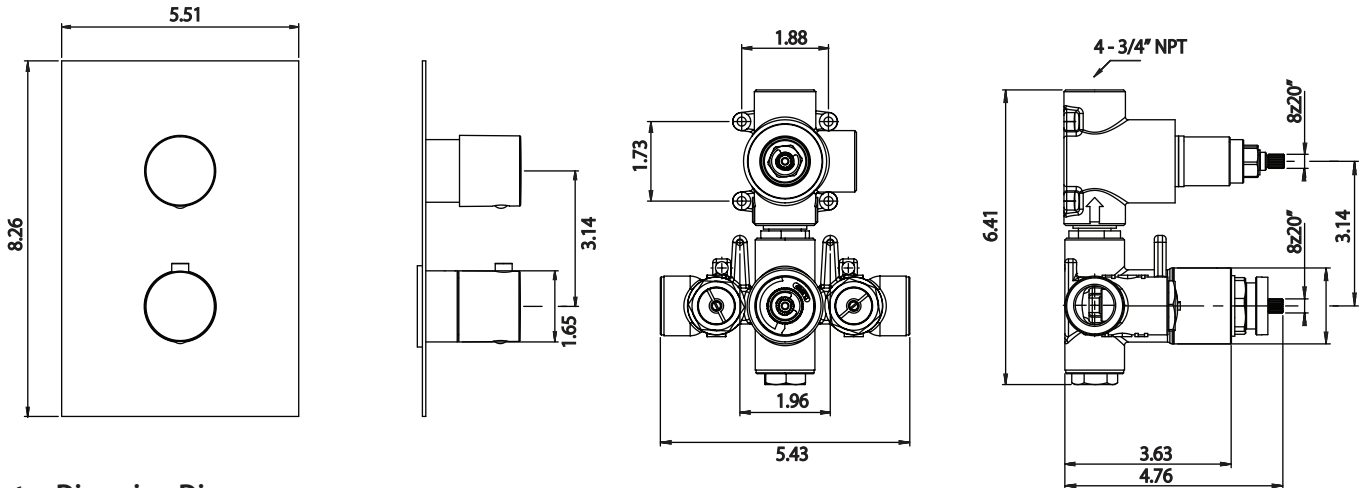
ZeroDrip Technology



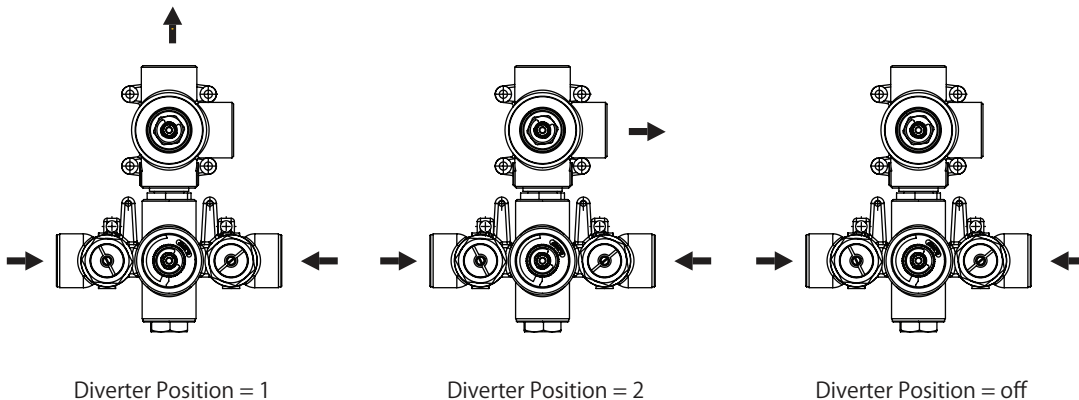
**!**  
A separate volume control is **not** needed to turn water supply off. Volume control functionality is integrated within this valve.

See Spec Sheet For TVH.4420 For Detailed Information On Valve.

**Technical Diagram**

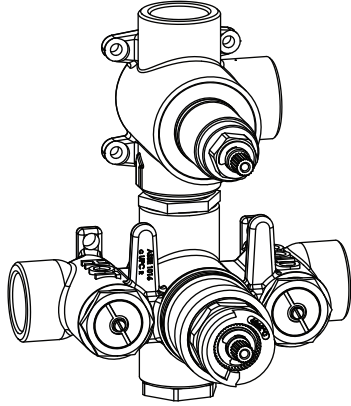


**Water Diversion Diagram**



TVH.4420 | 3/4" Thermostatic Valve With 2-Way Diverter & Integrated Volume Control UPC®

Page 1 of 2



**SPECIFICATIONS:**

- Turn bottom knob to control temperature.
- Turn top knob to control water flow.
- Thermostatic Valve Flow Rate - 13.0 GPM @ 60 PSI

**STANDARDS:**

- ASME A112.18.1 / CSA B125.1

**!**  
A separate volume control is **not** needed to turn water supply off. Volume control functionality is integrated within this valve.

CALGreen Compliant



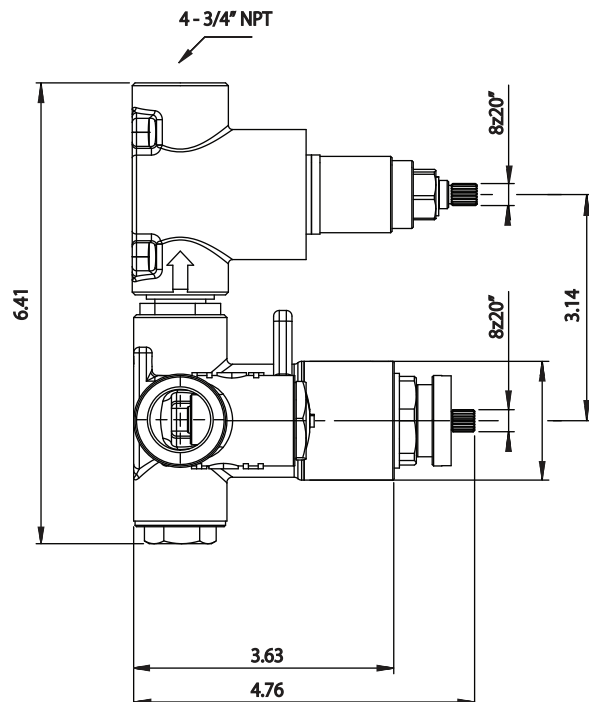
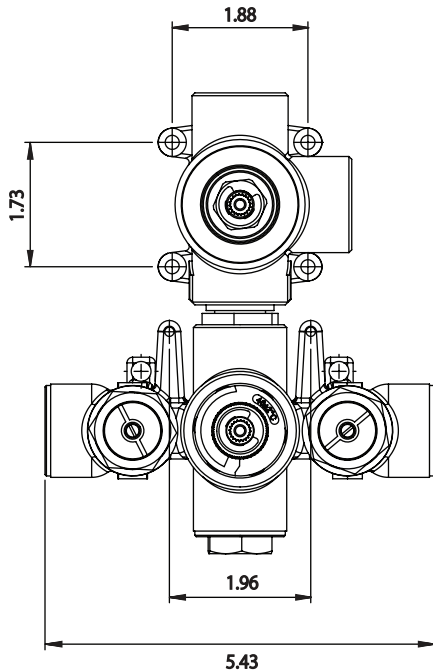
Legislation Compliance



ZeroDrip Technology



**Technical Diagram**



TVH.4420 | 3/4" Thermostatic Valve With 2-Way Diverter & Integrated Volume Control  
Volume Control Page 2 of 2



Water Diversion Diagram

